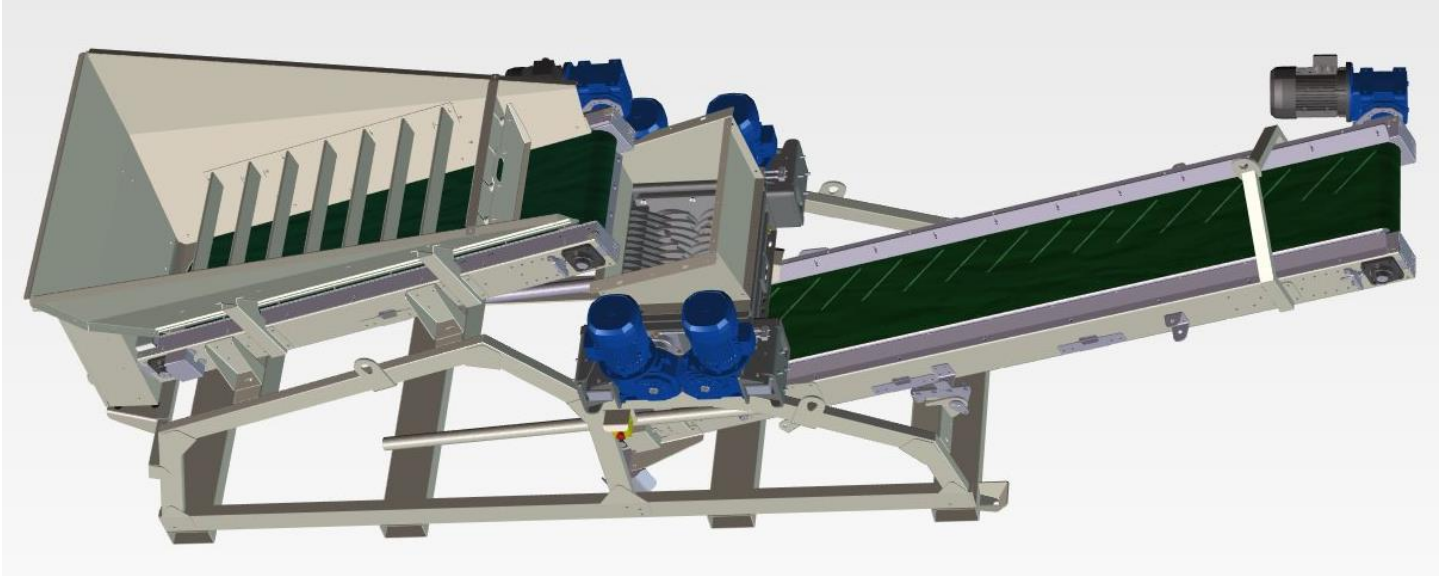


Technical Specification UTS 600



ADVANTAGES

High capacity up to 30 t/h

Low air pollution

Low noise pollution

No vibrations

Low wear costs and maintenance

Manual setting adjustment

Optional rotor screens mesh

All specifications subject to change without prior notice.



CAMS s.r.l.
VIA Giulio Golini, 301 40024- Castel San Pietro Terme (BO)- Tel. 0516946611
Cod. Fisc. e Part. IVA 02146431206- R.E.A. n° 416377- Cap. Soc. 93.000 euro Int. Vers.

FEATURES

Shredder

- Type of Shredder FTR 600
- Feed opening mm 600x500
- Max feed size mm 250x150x100
- Electric motor kW 16 (4x4)
- Rotors speed rpm 40
- Max Capacity t/h 30
- Weight Kg 830
- Chuteworks

Feeding Hopper

- Capacity : m³ 1,00
- Length : m 2,00
- Width : m 1,00
- Extensions: optional

Feed Conveyor TNL 550x2,10 m

- Length m 2,10
- Belt width mm 550
- Belt speed m/s 0,5 inverter
- Capacity t/h 60
- Electric moto-reducer kW 1,5

Main Conveyor TNL 550x3,40 m

- Length m 3,40
- Belt width mm 550
- Belt speed m/s 1,4
- Capacity t/h 60
- Electric moto-reducer kW 2,2
- Height discharge m 2,00

Electrical control panel

- Electrical cabinet with interlocking and cabling to motors
- PLC controls
- Incoming cables to control cabinet Excluded
- Volt 400 – 50 Hz

Chassis

Heavy duty fabricated I section of welded construction

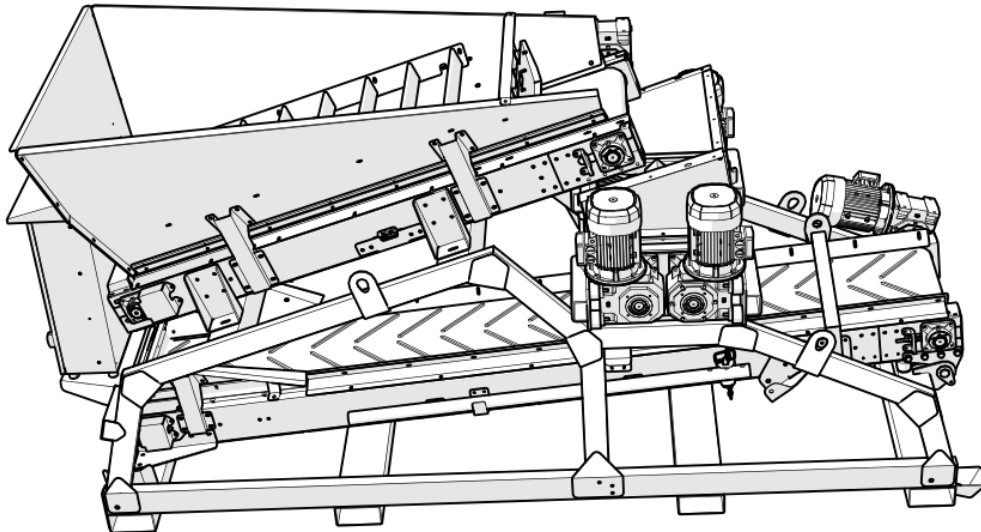
All specifications subject to change without prior notice.



CAMS s.r.l.
VIA Giulio Golini, 301 40024- Castel San Pietro Terme (BO)- Tel. 0516946611
Cod. Fisc. e Part. IVA 02146431206- R.E.A. n° 416377- Cap. Soc. 93.000 euro Int. Vers.

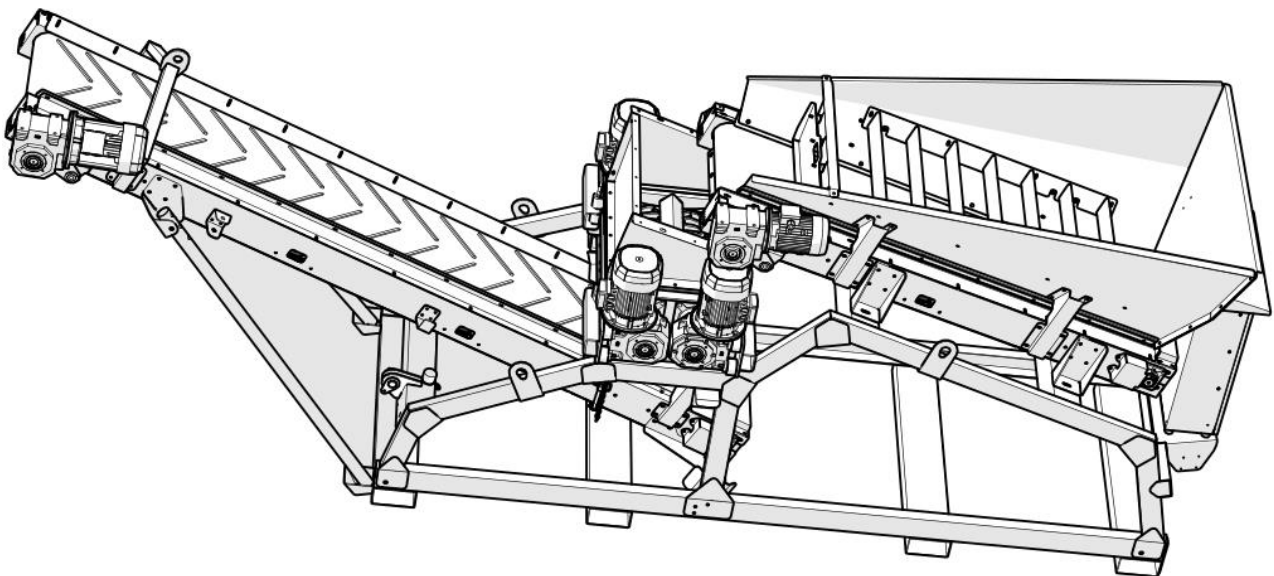
Transport Dimension:

- Width m 1,40
- Height m 1,95
- Length m 4,08
- Weight Kg 2.500



Work Dimension

- Width m 1,40
- Height m 1,95
- Length m 5,75



All specifications subject to change without prior notice.



CAMS s.r.l.
VIA Giulio Golini, 301 40024- Castel San Pietro Terme (BO)- Tel. 0516946611
Cod. Fisc. e Part. IVA 02146431206- R.E.A. n° 416377- Cap. Soc. 93.000 euro Int. Vers.